

Wireless. Fast. Accurate.



AXIS4000

Electronic Wheel Alignment

Camera Radio System

PC-based camera radio system.
The "Technical Revolution"
in mobile, electronic wheel alignment
for types of commercial vehicles!

Overview:

- PREMIUM
- STANDARD
- PRO

EIN PRODUKT VON
 **HAWEKA**[®]

AXIS4000

Electronic Wheel Alignment

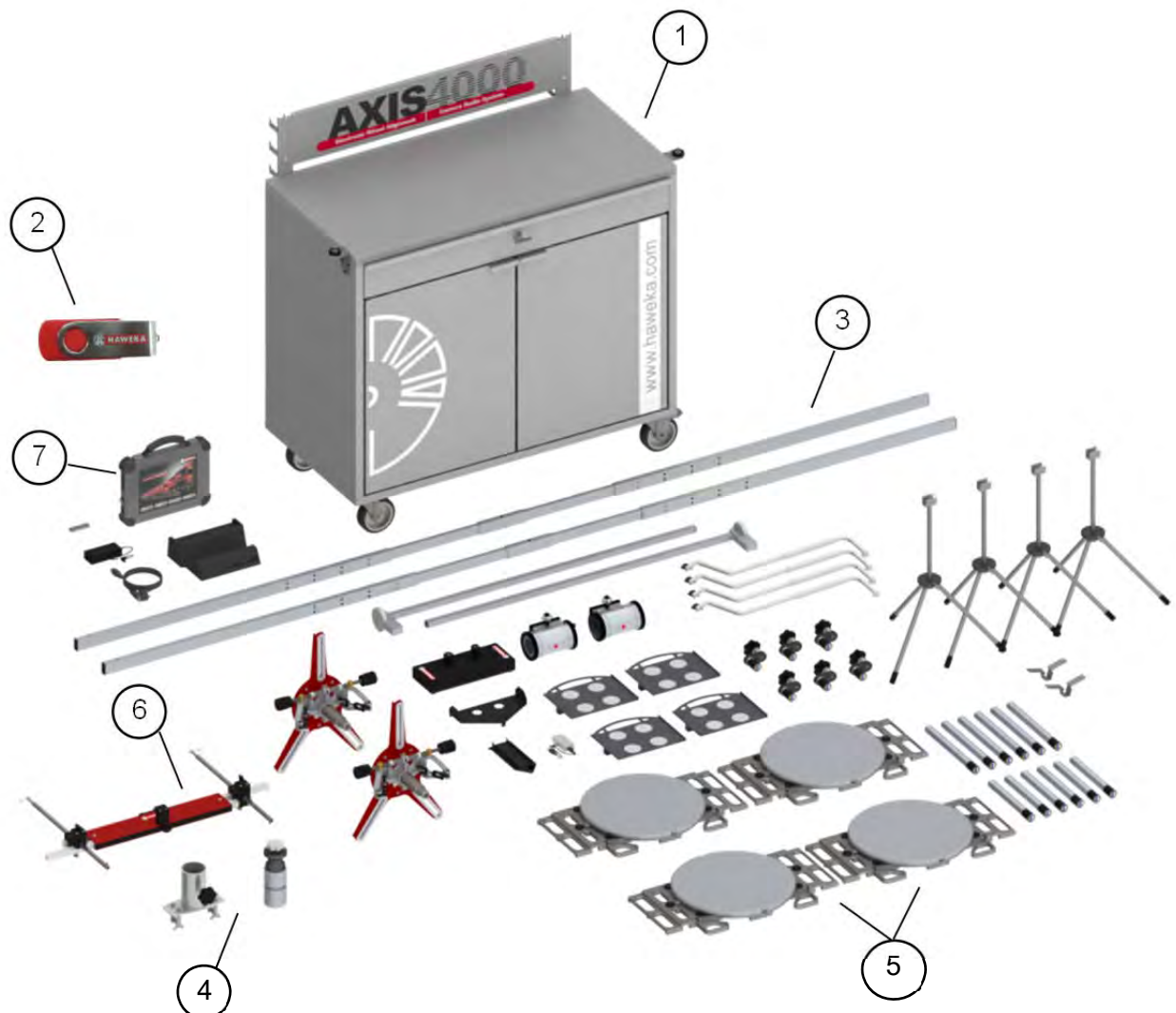
Camera Radio System

Version: PREMIUM

(Order-#: 924 000 050)

Contents:

1. Cabinet
2. PC-Software on USB-Stick
3. Device Hardware
4. Upgrade Kit for trailer-alignment
5. Upgrade Kit for twin steered axles
6. Frame scale
7. Hand Held Computer with WLAN



AXIS4000

Electronic Wheel Alignment

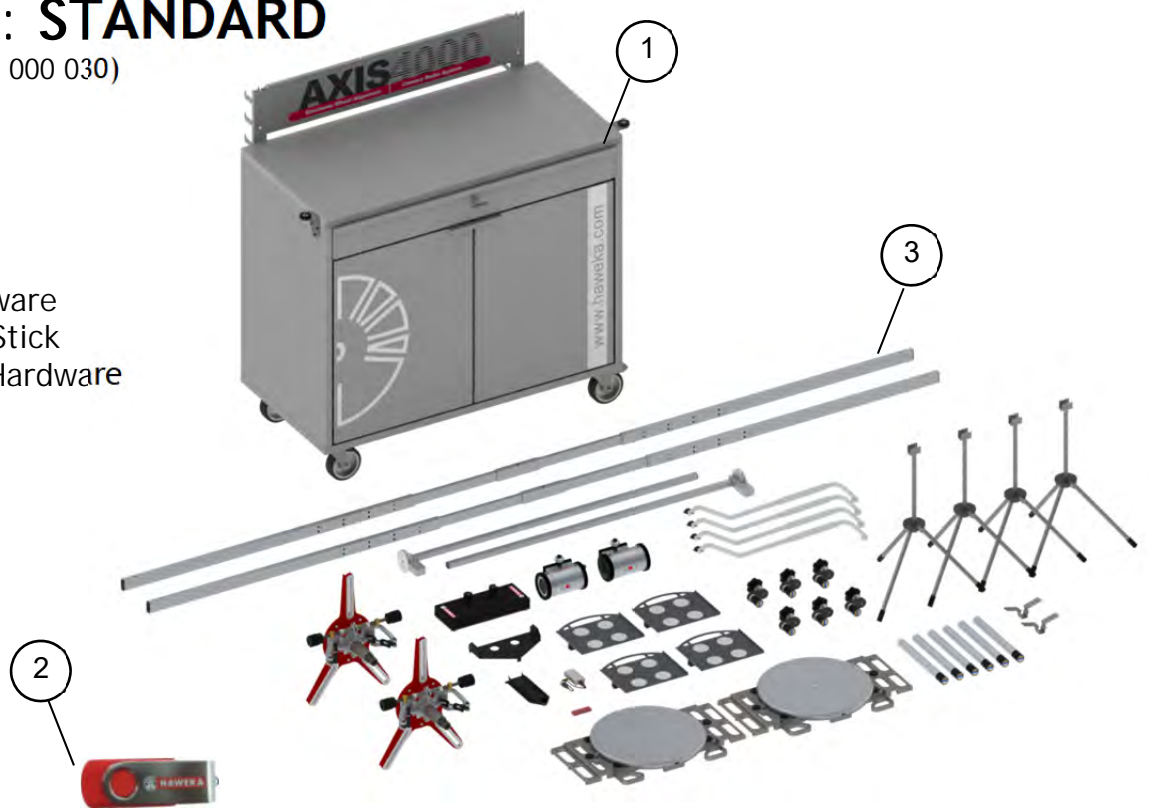
Camera Radio System

Version: STANDARD

(Order -#: 924 000 030)

Contents:

1. Cabinet
2. PC-Software on USB-Stick
3. Device Hardware

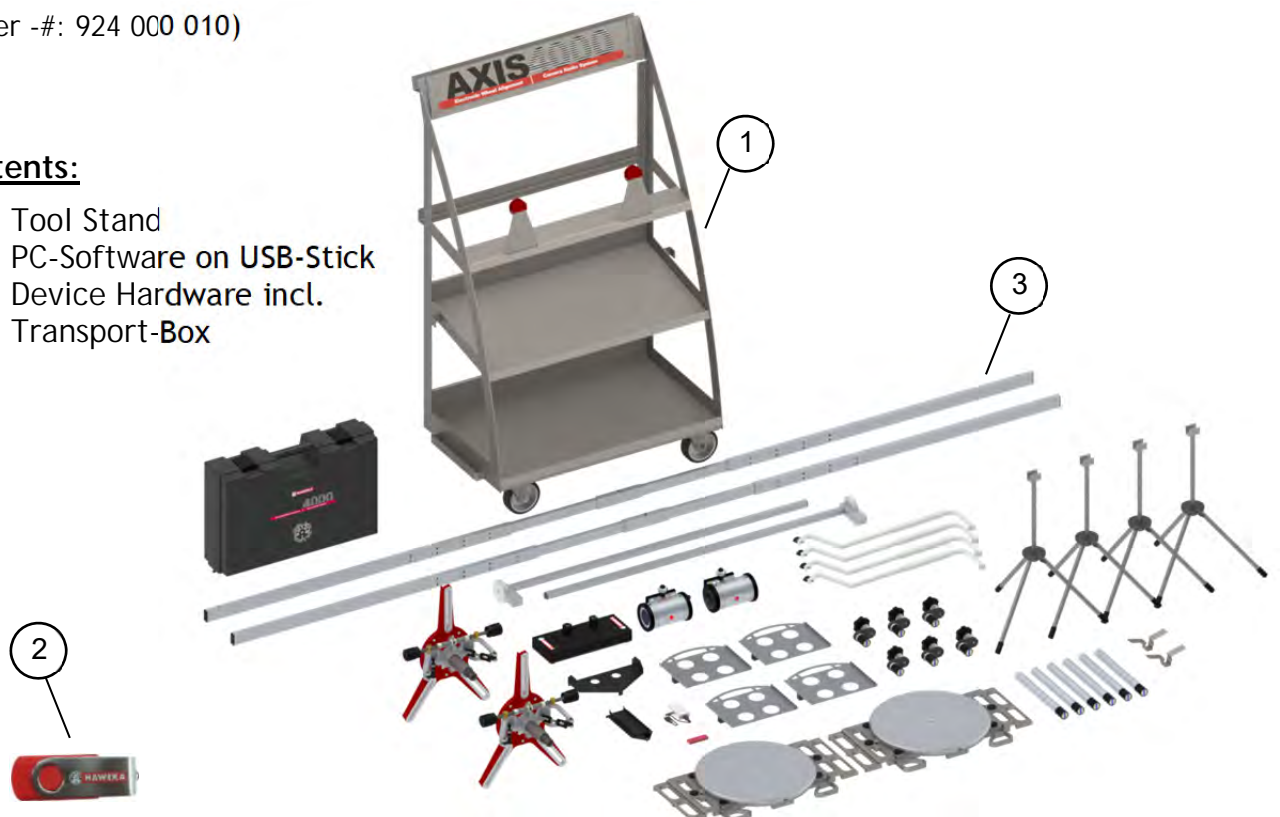


Version: PRO

(Order -#: 924 000 010)

Contents:

1. Tool Stand
2. PC-Software on USB-Stick
3. Device Hardware incl. Transport-Box



Overview for AXIS4000 versions

AXIS4000
Electronic Wheel Alignment | Camera Radio System

	Order-#	Description	PREMIUM 924 000 050	STANDARD 924 000 030	PRO 924 000 010
	924 001 161	Camera, left	1	1	1
	924 001 162	Camera, right	1	1	1
	924 001 034	Charge station for 2 Cameras	1	1	1
	924 001 160	Transmit-receiver (extra USB-Cable 0,5m 924 001 067)	1	1	1
	924 001 029	Floor panel for Skala (for floor unevenness)	1	1	1
	924 001 030	Floor panel for Camera (for floor unevenness)	1	1	1
	924 001 000	Measurement head (with clamping chuck 912e008 140)	2	2	2
	912e008 303	Grab arm Truck/bus	4	4	4
	913 033 011	Magnetic foot 60 mm, entire., quick-change system	6	6	6
	913 029 012	Magnetic staff 265 mm, quick- change system	6	-	-
	913 030 012	Magnetic staff 315 mm, quick- change system	6	6	6
	913 052 024	Tripod, support for scale	4	4	4
	913 052 081	Support for scale	2	2	2

Overview for AXIS4000 versions

AXIS4000
Electronic Wheel Alignment | Camera Radio System

	Order-#	Description	PREMIUM 924 000 050	STANDARD 924 000 030	PRO 924 000 010
	913 052 077	Support for magnetic scale	2	2	2
	924 001 025	Scale table (Target)	4	4	4
	913 011 029	Turning plate left / right	4	2	2
	GEB 001 091	Manual AXIS4000	1	1	1
	900e008 277	Plastic case 57,5 x 47 x 20,5 cm	-	-	1
	924 001 057	Tool stand "PRO"	-	-	1
	924 001 056	USB-Stick (AXIS4000 Software)	1	1	1
	924 001 047	Hand Held PC (10,4")	1	-	-
	924 001 035	Tool car with drawer and floor unit	1	1	-
	923 001 043	Frame scale	1	-	-
	923 001 041	King pin adapter Ø 2" (for semitrailer alignment)	1	-	-
	913 024 001	coupling ring/trailer drawbar adapter (for trailer alignment)	1	-	-
	924 027 017	Mounting aid for alloy rims	2	2	2

Overview for AXIS4000 versions

AXIS4000

Electronic Wheel Alignment

Camera Radio System



Description	Order-#	AXIS4000 PREMIUM 924 000 050	AXIS4000 STANDARD 924 000 030	AXIS4000 PRO 924 000 010
Camera, left (serie II)	924 001 161	1	1	1
Camera, right (serie II)	924 001 162	1	1	1
Charge station for 2 Cameras	924 001 034	1	1	1
Transmit-receiver (extra USB-Cable 0,5m 924 001 067)	924 001 160	1	1	1
Floor panel for Skala (for floor unevenness)	924 001 029	1	1	1
Floor panel for Camera (for floor unevenness)	924 001 030	1	1	1
Measurement head (with clamping chuck 912e008 140)	924 001 000	2	2	2
Grab arm Truck/bus	912e008 303	4	4	4
Magnetic foot 60 mm, entire., quick-change system	913 033 011	6	6	6
Magnetic staff 265 mm, quick-change system	913 029 012	6	-	-
Magnetic staff 315 mm, quick-change system	913 030 012	6	6	6
Tripod, support for scale	913 052 024	4	4	4
Support for scale	913 052 081	2	2	2
Support for magnetic scale	913 052 077	2	2	2
Scale table (Target)	924 001 025	4	4	4
Turning plate left / right	913 011 029	4	2	2
Manual AXIS4000	GEB 001 091	1	1	1
Plastic case 57,5 x 47 x 20,5 cm	900e008 047	-	-	1
Tool stand "PRO"	924 001 057	-	-	1
USB-Stick (AXIS4000 Software)	924 001 056	1	1	1
Hand Held PC (10,4")	924 001 047	1	-	-
Tool car with drawer and floor unit	924 001 035	1	1	-
Frame scale	923 001 043	1	-	-
King pin adapter Ø 2" (for semitrailer alignment)	923 001 041	1	-	-
coupling ring/trailer drawbar adapter (for trailer alignment)	913 024 001	1	-	-
Mounting aid for alloy rims	913 027 017	2	2	2

AXIS4000

Electronic Wheel Alignment Camera Radio System

Optional Accessories

Turnplates for Vehicles with twin steered axles:

(Order -#: 924 000 002)



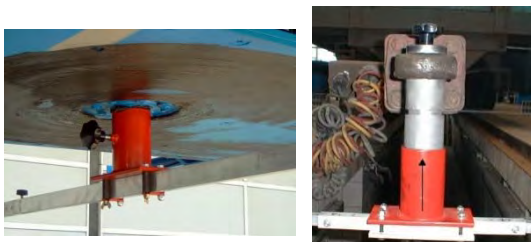
Frame scale to check the frame

(Order -#: 923 001 043)



Accessories for trailer and semitrailer

(Order -#: 923 000 001)



Accessories for vans

(Order -#: 923 000 003)





HAWEKA AG

Kokenhorststr. 4 ♦ 30938 Burgwedel ♦ Germany

☎ +49 5139-8996-0 📠 +49 5139-8996-222

www.haweke.com ♦ Info@haweke.com