

 **PRODUCT INFORMATION**

AXIS500

Optical Wheel Alignment

Laser System

Laser wheel alignment system for measuring commercial vehicles including inclinometer with automatic angle recognition





Product Description

Using the mobile wheel alignment system AXIS500, all types of vehicle* can be quickly and reliably measured.

* Depending on the type of vehicle, optional accessories required

Product features

- Measure in drive position; no raising necessary
- All vehicles are reliably measured using a measuring system
- Recording the measurement values by an inclinometer
- Simple installation onto the rims using magnets
- Quick-clamping device for all aluminium rims
- Measuring head with battery/laser technology can be rotated through 360°
- Quick measurement of the complete and individual track, camber, track differential angle, caster, inclination of the axles, axle offset and centre positioning of the steering gear
- At each measurement, the vehicle frame is included
- Recording of the measurement value within 15 min., incl. setting-up time
- Only one person is required for the complete wheel alignment
- The good price-performance ratio ensures quick amortisation
- Mobile, solid box for the device is included in the scope of delivery

Product features inclinometer

- Takes just seconds to record the different geometric angle values of the vehicle.
- The camber value is immediately indicated after assembly
- After simply locking the steering, the values for caster and king pin inclination are directly indicated on the display
- Measurement of the required steering lock is confirmed by an additional optical signal



Laser head and electronic inclinometer



Retaining clips for aluminium rims



Inclinometer (electronic inclinometer)

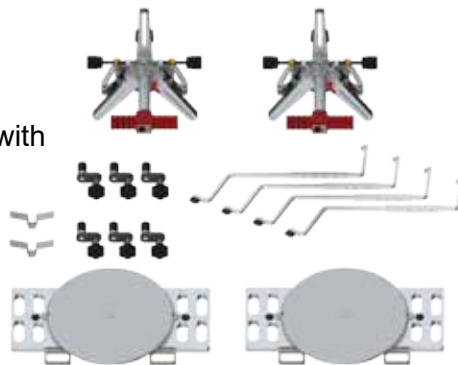
Equipment

The mobile box for the device with tripod for the laser measuring head is included in the scope of delivery. All devices required for the measurement are securely packed. This ensures flexible use of the AXIS500 wheel alignment system.



Upgrade kits

Upgrade kit for vehicles with multiple steered axles.
Item No. 922 000 002



Upgrade kit for the semi-trailer and trailer measurement.
Item No. 922 000 001



Upgrade kit for the transporter.
Item No. 922 000 016



 **PRODUCT INFORMATION**

Product Overview

Wheel alignment system AXIS500
incl. accessories and box for
the device

Item No. 922 000 050



Optional accessories

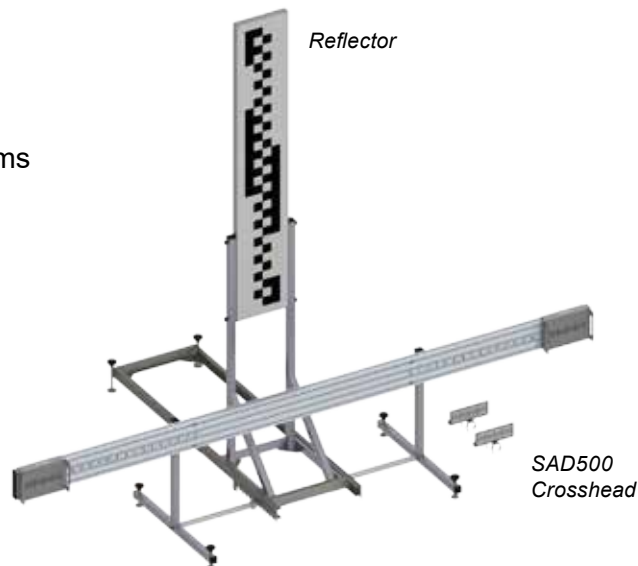
SAD500

Optical Adjustment System
for Driver-Assistance Systems
(DAS).

Item No. 922 000 013

Reflector

Item No. 922 001 020



Release for series production

From the company MAN Truck and Bus AG, we have received the release
for series production of the AXIS500 system.

